

NEW RFID Tranponder Coil-CX1106

OUTLINE

NANJIN CHUXIANG's CX116 antenna coils are rugged, high performance devices intended for RFID applications at 125 kHz.

These low profile parts have an extended length that allows longer read ranges. The coil is ferrite laminated, making it more rugged and impact resistant than all-ferrite constructions. An encapsulated top ensures reliable pick and place operations. Core construction and encapsulation are rated for 125°C, which makes these transponders ideal for higher temperature applications.

The CX1106 transponders coils are available in 5% and 2% tolerances. In addition to the standard models shown, NANJINCHUXIANG can design coils to operate at other frequencies.

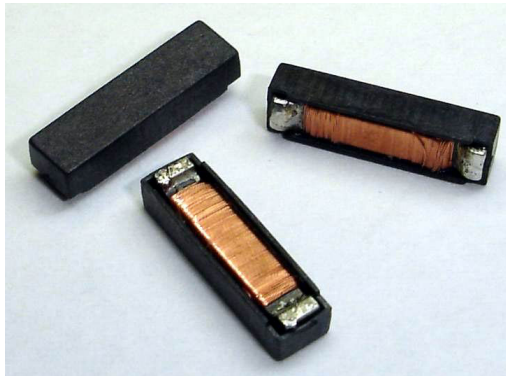
NANJINCHUXIANG Designer's Kit C183 contains four samples of all 5% inductance tolerance parts.

Features

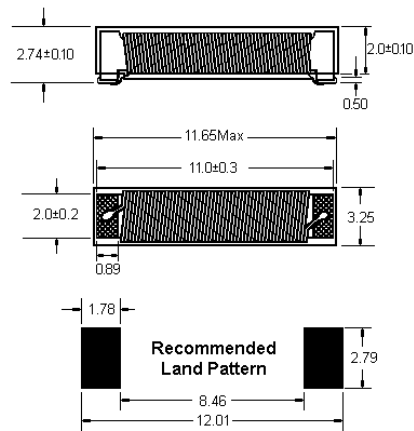
- Low profile with an extended length
- High Q value.

Applications

- Car remote control key.
- Tire Pressure Monitoring System

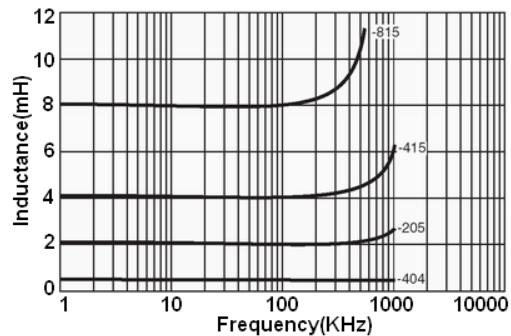
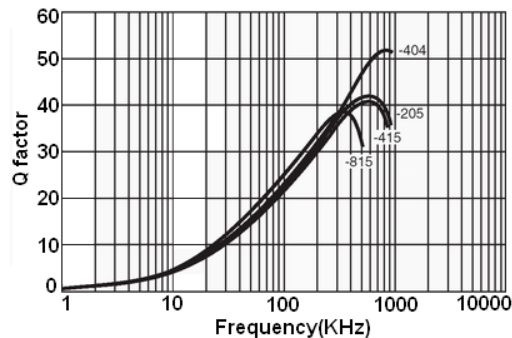


DIMENSIONS AND LAND PATTERNS (mm)



Tape and reel: 2500/13" reel 24mm tape width
For packaging data see Tape and Reel Specification section.

STURATION CURRENT



Specification subject to change without notice. Revised 11/10/05



NANJIN CHUXIANG SCIENCE&TECHNOLOGY DEVELOPMENT CO., LTD

Tongjiang Rd 3# jianye Region Nanjin, Jiangsu, China

TEL: (517) 3492964 FAX: (517) 5961264 Websits: www.njcoil.com E-mail: jsxy@163.com

SMD INDUCTORS

SPECIFICATIONS

Parta No.	Inductance at 125KHz (mH)	D.C.R. MAX (Ohms)	Q min	SRF Typ (kHz)	Color code
CX1106-374J	0.37	6.5	26	1800	Orange Violet Yellow
CX1106-404J	0.40	7.1	26	5000	Yellow Black Yellow
CX1106-704J	0.70	19	20	6600	Violet Black Yellow
CX1106-904J	0.90	21	22	4800	White Black Yellow
CX1106-115J	1.08	24	24	4300	Brown Brown Green
CX1106-205J	1.97	31	28	1750	Red Black Green
CX1106-245J	2.38	34	30	1700	Red Yellow Green
CX1106-295J	2.89	42	30	1900	Red White Green
CX1106-335J	3.30	48	30	1425	Orange Orange Green
CX1106-415J	4.15	70	27	1620	Yellow Brown Green
CX1106-495J	4.90	93	26	1150	Yellow White Green
CX1106-685J	6.80	110	28	1080	Blue Gray Green
CX1106-715J	7.10	114	27	1050	Violet Brown Green
CX1106-725J	7.20	114	28	965	Violet Red Green
CX1106-815J	8.10	125	28	965	Gray Brown Green
CX1106-905J	9.00	125	30	725	White Black Green

Specification subject to change without notice. Revised 11/10/05



NANJIN CHUXIANG SCIENCE&TECHNOLOGY DEVELOPMENT CO., LTD

Tongjiang Rd 3# jianye Region Nanjin, Jiangsu, China
TEL: (517) 3492964 FAX: (517) 5961264 Websits: www.njcoil.com E-mail: jsxyz@163.com